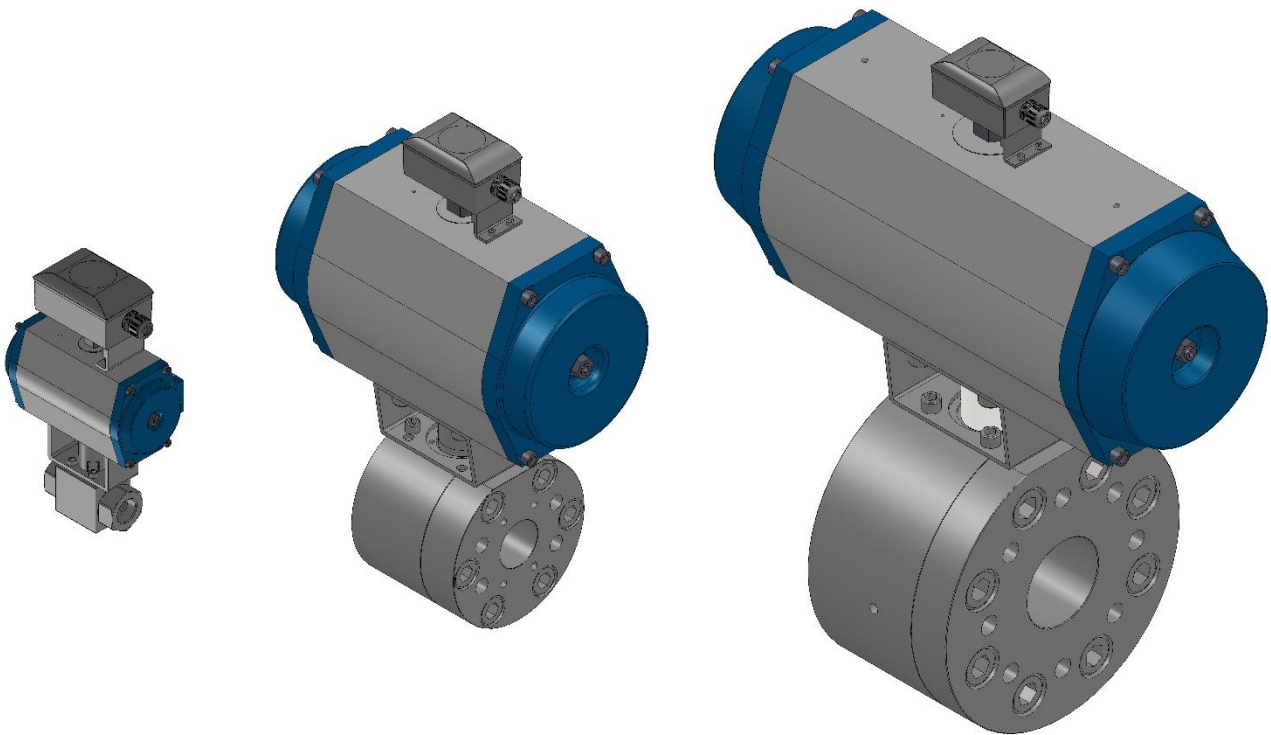


FiWaRec Catalogue for Directional Valves



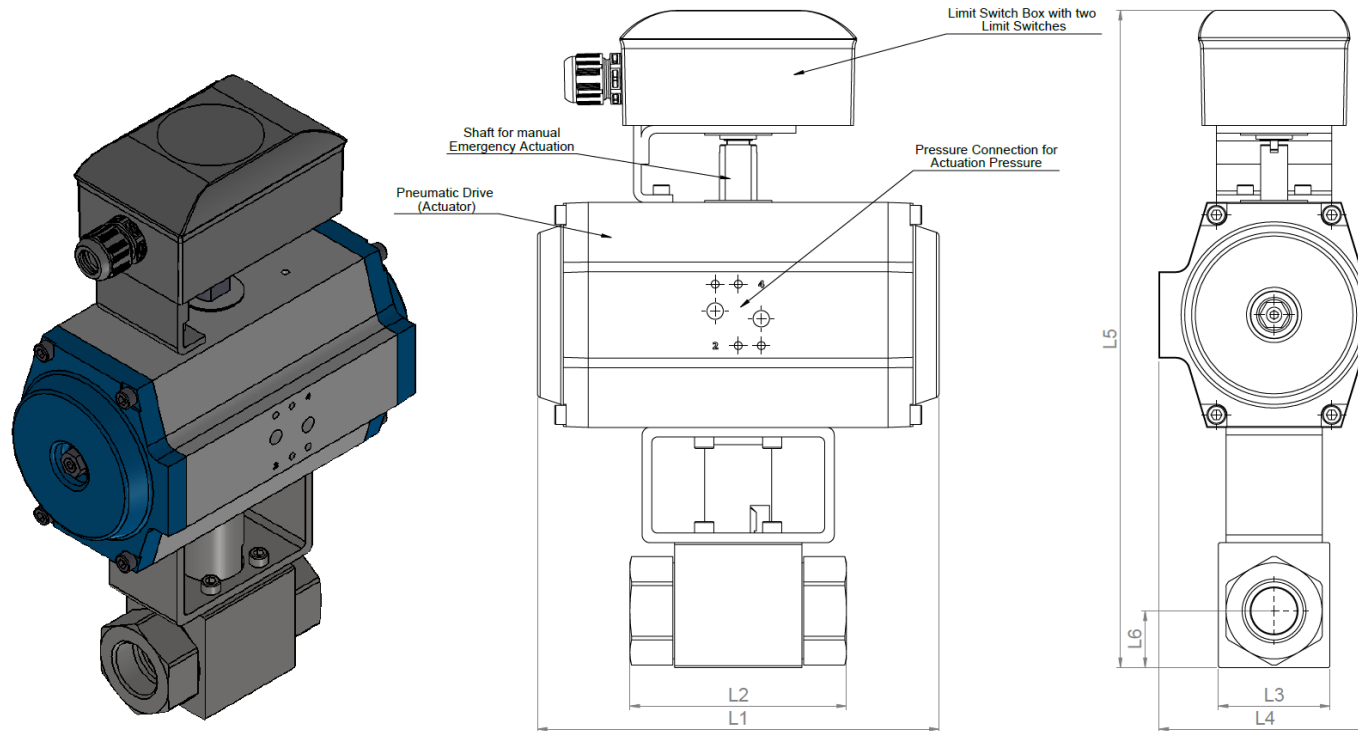
**FiWaRec Product Catalogue
for Directional Valves**



General Technical Data

Allowed System Pressure PN	240bar
Actuation Pressure Range	Min. 6bar (for 200bar use) Max. 8bar (depending on related standard)
Temperature Range TS	-20°C to +100°C (Ball Valve) -20°C to +60°C (Pneumatic Actuator)
Gas Specifications and Extinguishing Agents	IG01, IG100, IG55, IG 541, CO ² and Clean Agents
Materials	Stainless steel, aluminium, plastics, elastomeric materials
Dimensions	As per Technical Specification on further pages
Connection Types	Threaded Connection (BSP), SAE Flanges or ISO Flanges (as per Technical Specification on further pages)
Approvals	Not available yet, but designed as per EN12094-5 and VdS Guidelines
Technical Options	<ul style="list-style-type: none"> • Electrical and mechanical Position Control • Manual Actuation by Wrench
Values of electrical limit switch	Voltage: 12-250V AC/DC Operating current: 0,1-10A Number of switches: max. 4

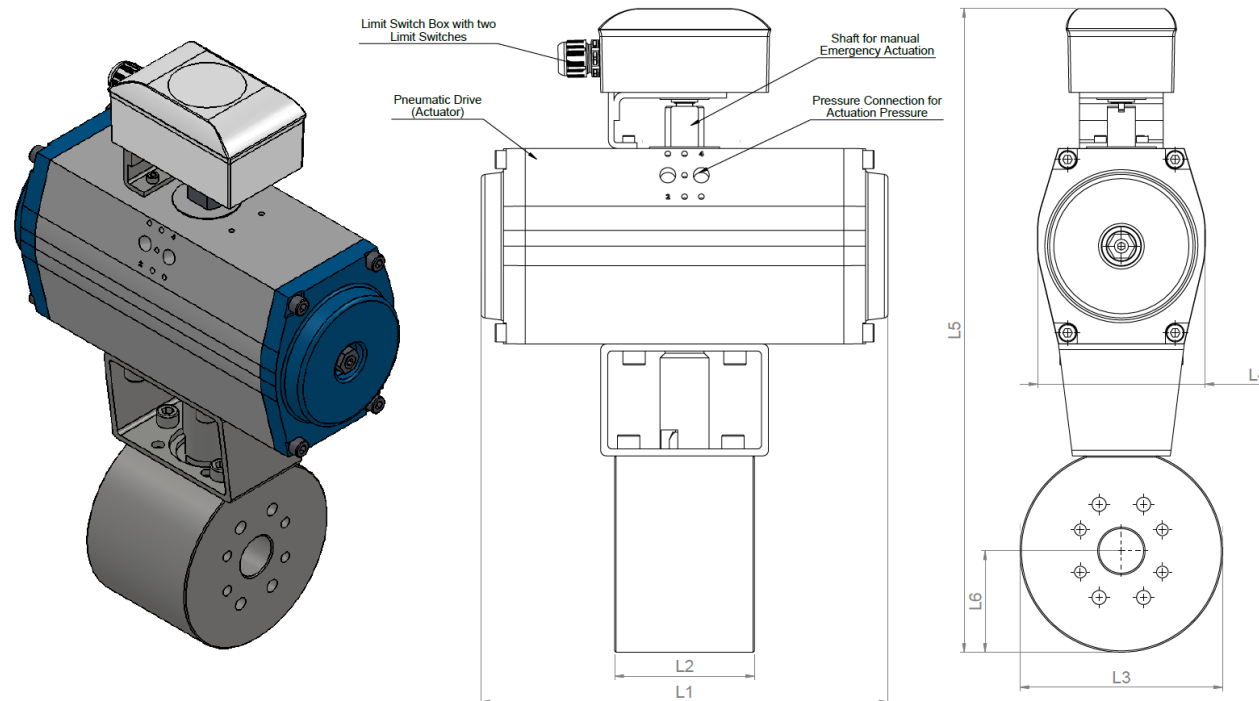
Directional Valves for BSP Pipe Connection (as per DIN ISO 228)



Article Code	Size	Connection Type	L1	L2	L3	L4	L5	L6	Weight
XF300001	DN20	G3/4"	180	95	49	100	325	24,5	5,5kg
XF300002	DN25	G1"	209	113	58	111	342	29,5	7kg
XF300003	DN32	G1 1/4"	291	111	81	120	386	40	12kg
XF300004	DN40	G1 1/2"	291	130	100	120	403	50	14kg
XF300005	DN50	G2"	298	140	118	136	438	59	19kg

*all lengths in millimeter [mm]

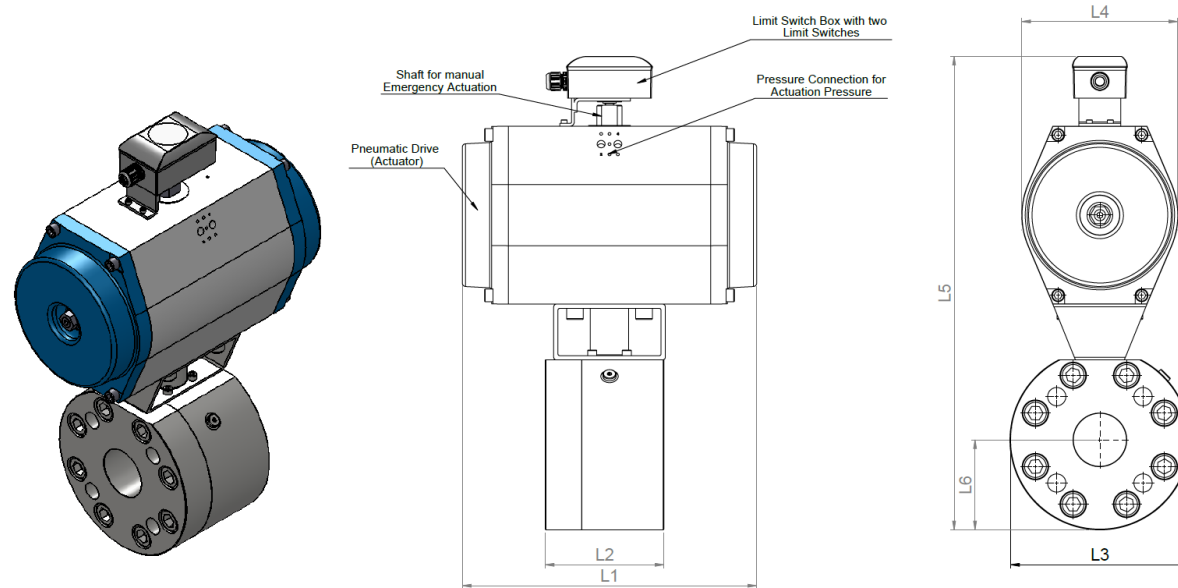
Directional Valves with SAE 210/420 Flange Connection (as per ISO 6162-1/-2)



Article Code	Size	Connection Type	L1	L2	L3	L4	L5	L6	Weight
XF300011	DN20	3/4"	180	80	98	94	354	49	9kg
XF300012	DN25	1"	209	88	118	110	376	59	11kg
XF300013	DN32	1 1/4"	291	100	145	105	461	72,5	21kg
XF300014	DN40	1 1/2"	291	110	165	105	481	82,5	26kg
XF300015	DN50	2"	298	116	198	105	533	99	36,5kg
XF300016	DN65	2 1/2"	422	170	218	224	644	109	75,5kg
XF300017	DN80	3"	422	170	258	224	679	129	92,5kg

*all lengths in millimeter [mm]

Directional Valves with ISO Flange Connection (as per ISO6164-2)



Article Code	Size	Connection Type	L1	L2	L3	L4	L5	L6	Weight
XF300021	DN19	3/4"	180	88	119	110	364	59,5	10,5kg
XF300022	DN25	1"	209	88	126	110	380	63	12kg
XF300023	DN32	1 1/4"	291	105	145	120	461	72,5	22kg
XF300024	DN40	1 1/2"	291	110	165	120	481	82,5	26,5kg
XF300025	DN50	2"	298	123	198	120	533	99	39kg
XF300026	DN63	2 1/2"	422	150	224	200	655	112	73kg
XF300027	DN80	3"	422	170	258	200	679	129	92kg
XF300028	DN100	4"	603	200	260	272	774	130	113kg
XF300029	DN125	5"	683	230	390	272	882	195	267kg
XF300030	DN150	6"	689	285	390	305	945	195	320kg

*all lengths in millimeter [mm]

For more details and information like

- Datasheets
- Technical Drawings
- Instruction Manuals
- Additional Catalogues
- ...

Please send a request to: sales@fiwarec.de

Or visit the download area on our website under:

<http://fiwarec.de/de/login.html>

Copyright according to ISO 16016:

All rights reserved in the event of the grant of a patent, utility model or design.

Modifications may take place and materials may be changed without prior notice.

FiWaRec Valves & Regulators
GmbH & Co. KG

Europa-Allee 12
54343 Föhren

Germany